



SEEKS, CAPTURES AND



**inactivates  
indoor  
pathogens.**

CHANGE IS IN THE AIR.



## Combining Technologies for Cleaner Environments

You have the ability to change the air you breathe, no matter where you are. That includes the inside of vehicles, where air can be filled with volatile organic compounds (VOCs), odors and pathogens. That's why Greentech's unique combination pureAir technologies work in many different environments to reduce airborne VOCs, allergens such as pollen and pet dander, and odors caused by mold, bacteria and other pollutants.

### TESTIMONIAL

**“Both qualitatively and quantitatively,** there was a measurable and sustained reduction of odor and TVOC (total Volatile Organic Compounds) levels when the ODOGard unit was functioning in comparison to the initial levels found inside the room and the adjacent hallway during the 14-day testing period. The overall sub-micron particle counts were reduced the most.”

Keith Roe, IAQS

<sup>1</sup> <https://phys.org/news/2017-05-air-quality-productivity.html>

\* Laboratory tests prove to inactivate over 99.98% of SARS-CoV-2 in the air within 3:20 minutes in a controlled environment.

pureAir  
**ActiveHEPA**   
WITH ODOGard®

### A powerful fusion of active and passive technologies.

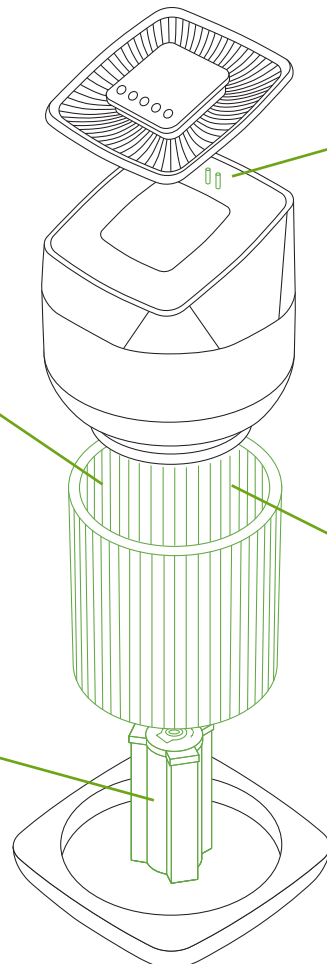
Our proprietary photocatalytic oxidation (PCO) technology uses energy to activate a catalyst, turning moisture in the air into products that continuously clean your space, inactivating pathogens and reducing odors. Combine that with bipolar ionization (BPI), which causes allergens and other irritating particles to drop out of the breathing space, and you have a purifier unlike any other, continuously cleaning your space, reducing pathogens and destroying odors from the air and surfaces, 24/7.

#### HEPA FILTRATION:

Traps and destroys odors along with allergens and other particulates.

#### PHOTOCATALYTIC OXIDATION:

Using a broad-spectrum UV light and moisture in the air, active oxidation products are created to seek out and inactivate pathogens at the source.



#### BIPOLAR IONIZATION:

Ionization brushes create a plasma of negative and positive charges to remove particles from the breathing space.



Active HEPA+ with ODOGard® is the only air purifier on the market that uses proprietary ODOGard® technology to quickly and permanently eliminate odors by bonding to odor molecules.

### What's in the plus?

Only Greentech has the filters with the plus. Our HEPA and MERV-rated pleated filters are treated with ODOGard® coating, which instantly bonds to odor molecules, completely clearing rooms of odors in as little as **10 minutes.**

## The pureAir 750+ Mobile

Providing continuous air purification, this permanently mounted unit is perfect for the transportation industry. pureAir 750+ Mobile features the same active air purification technology developed and used by NASA, and has proven to deactivate 99.98% of the virus that causes COVID-19 from the air.\*



**pureAir 750+**  
mobile

Improved indoor air quality for the transportation industry helps:

- Reduce the risk of spread of COVID-19 and similar epidemics..
- Create a cleaner environment by reducing VOC, allergens and other irritants, improving comfort for drivers and passengers.
- Improve consumer confidence by continued investment in their well-being.
- Reduce staff absenteeism
- Reduced odors



Hunts Pathogens  
Captures Allergens  
Destroys Odors

Greentech provides highly-tested active air solutions to SARS-CoV-2 and similar future epidemics.

## The pureAir difference.

Because passive air purification simply doesn't work well enough on its own, Greentech's technology utilizes a proprietary Active Radiant Catalysis (ARC®) process as part of a multi-pronged assault on airborne pollutants, which has proven to be more effective in reducing pathogens from indoor environments. It's the same system used by NASA in the Space Station.

## Passive Purification V. Active Purification

Traditional passive air filters do not fully address the needs of indoor spaces. All indoor spaces face common environmental challenges, such as bacteria, viruses, mold, VOCs and odors, allergens, and particulates. Traditional air filters require air to pass through them to be cleaned, and these particles are often too small to be trapped, allowing them to pass freely into your space again.

## The Greentech Solution: Active Air Purification

Greentech's technology utilizes a multi-pronged approach combining photocatalytic oxidation, bipolar ionization, and our proprietary coated filtration, resulting in a more effective air purification. Advanced oxidation particles (AOPs) are propelled out into the space to hunt down pollutants and purify the air. These AOPs actively attack allergens and odors caused by bacteria, mold, VOCs and more before the air passes through the filter, providing a more thorough solution.



## Perfect Products for Transportation



### pureAir 750+ Mobile

Providing continuous air purification, this mountable unit is perfect for vehicles of all types.



### pureAir Solo

Combines active and passive technologies to create a unique air purification solution.



It's your air.  
Make it better.

## Why Choose Greentech?

For more than a decade, Greentech Environmental has been on a mission to use the latest technologies to universally solve indoor air problems, removing pollutants and improving spaces where we live, work and play. Indoor air can be filled with up to 10x more pollutants than the air we breathe outside. Allergens, bacteria and odors are just a few things flying about and ready to cause problems. Left untreated, these problems can cause absenteeism, reduced productivity and other issues.

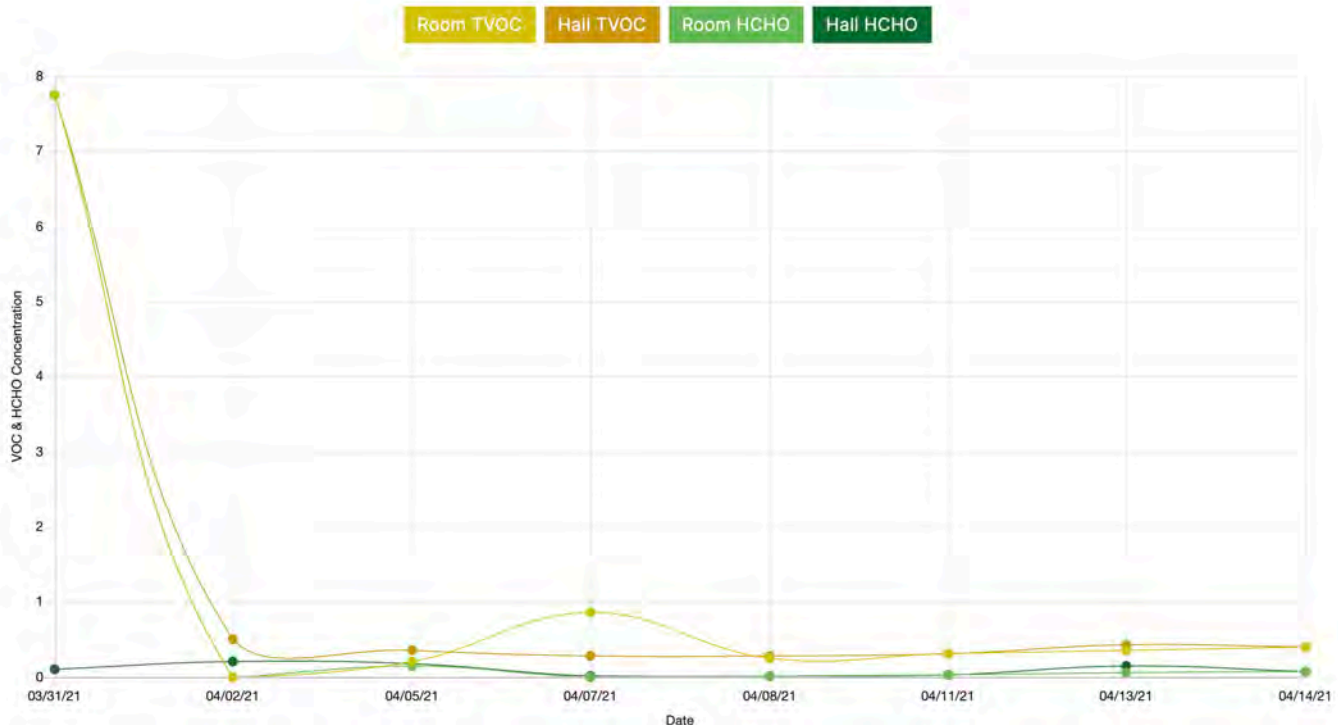
While outside air is out of your control, you have power to improve your indoor air wherever you are, from your vehicle, your home, or your office. Greentech's scalable pureAir air purifiers attack the sources of contaminants and pollution, continuously cleaning the air in your space to maintain a fresh environment. With our patented active air purification process and our proprietary coated filters, pureAir delivers the best in active and passive air purification.



Test results don't lie.

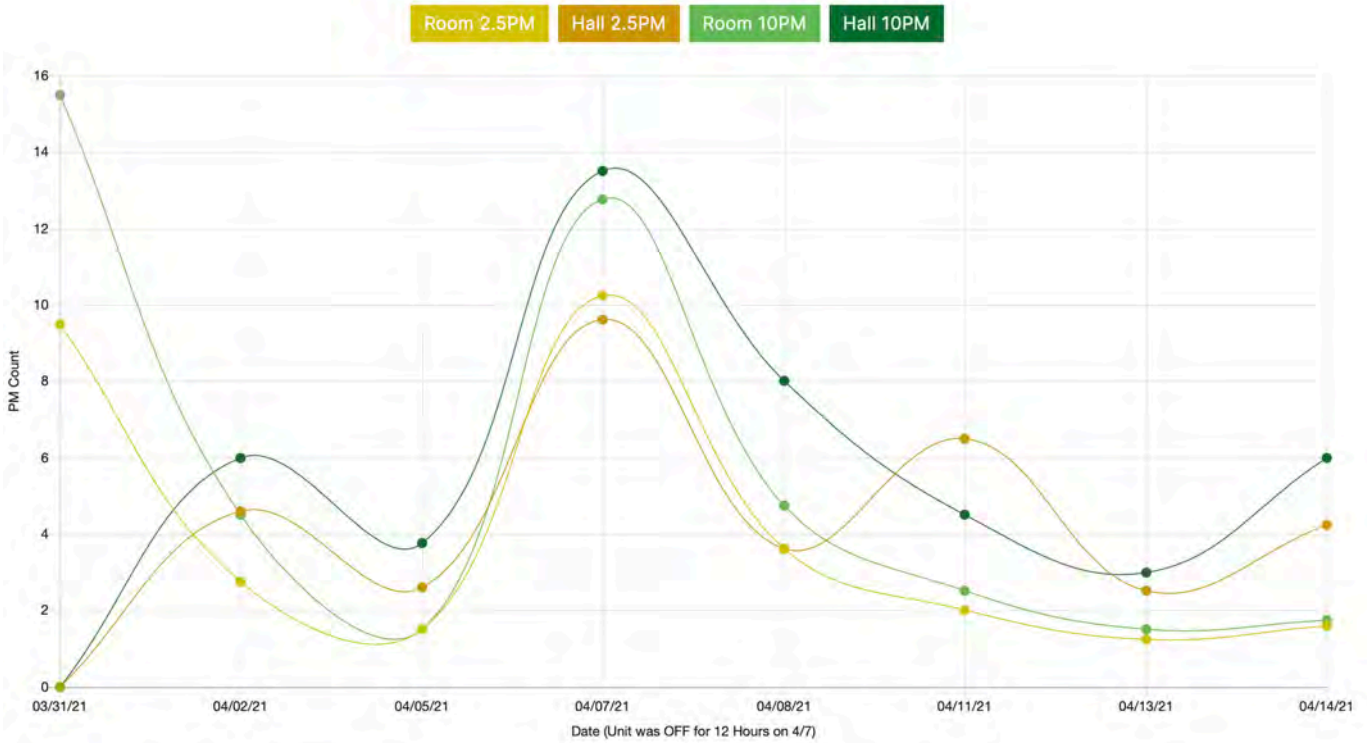
Combining our PCO+BPI technology with a HEPA filter treated with ODOgard inactivated 99.98% of aerosolized SARS-CoV-2 in as little as 3 minutes and 20 seconds in a 13ft<sup>3</sup> class III biosafety cabinet.

### Volatile Organic Compound & Formaldehyde

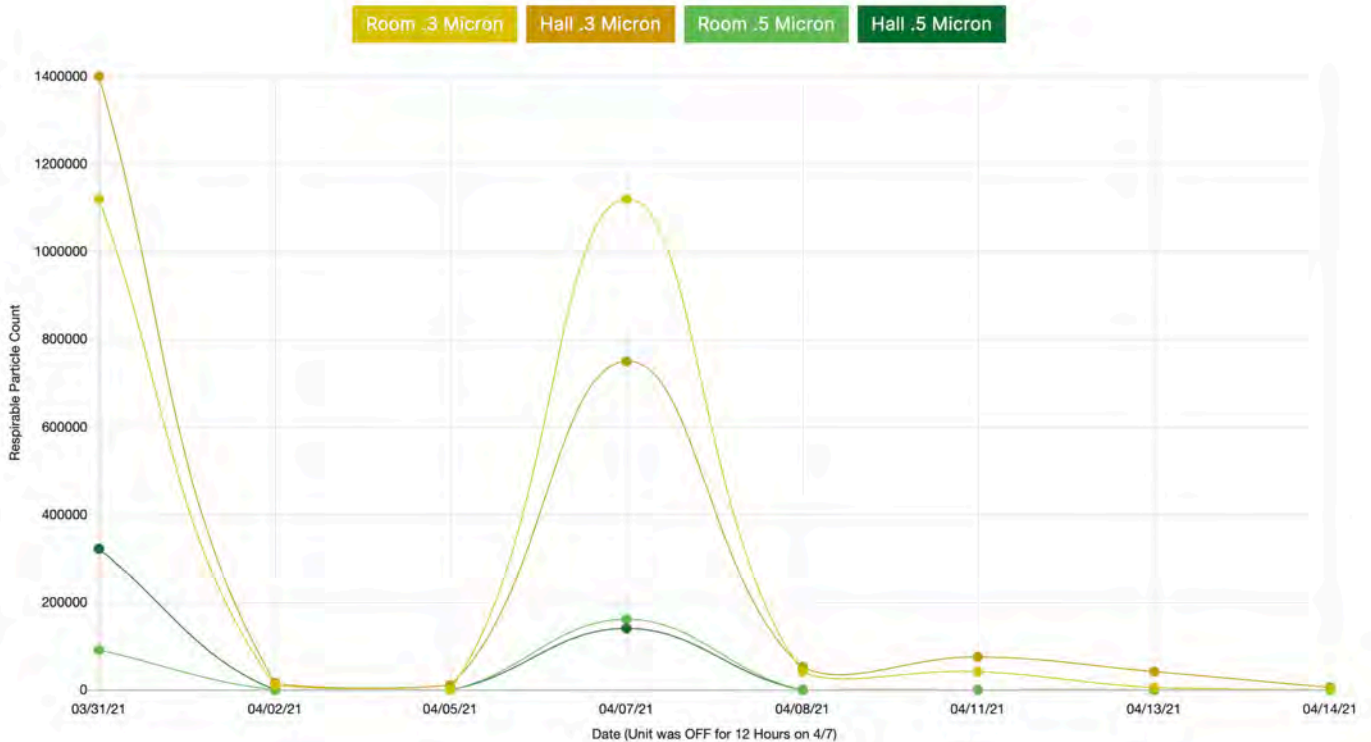




**Particulate Matter (PM)**



**Respirable Particle Count**



Extensive testing showed similar impressive results. TVOCs were reduced 99.9% and formaldehyde (HCHO) reduced to 33% of the original concentration. Both Total Particulate Matter (PM) and Respirable Particle Counts were significantly reduced during testing.

# pureAir **750+** mobile



SEEKS, CAPTURES AND  


**inactivates  
indoor  
pathogens.**

CHANGE IS IN THE AIR.

pureAir **750+ Mobile**  
Purification for Transportation

We measure success in microns.

Providing continuous air purification,  
this mountable unit is perfect for vehicles.

# Benefits of pureAir 750+ Mobile



Continuous Purification



Reduces Odors



Mounts to Save Space



Sized for Multiple Locations



Wide List of Applications

## Air Purification for Transportation



Providing continuous air purification, this permanently mounted unit is perfect for spaces without HVAC duct access. pureAir 750 Mobile features the same active air purification technology developed and used by NASA.



With a reactive surface area more than 16x greater than the competition, pureAir 750+ Mobile continuously purifies your space. The result is the reduction of allergens from pets, pollen, and smoke, as well as odors from mold, mildew, and more.



Active Radiant Catalysis (ARC®), our proprietary photocatalytic oxidation (PCO) technology uses energy to activate a catalyst, turning moisture into products that continuously clean your space.



Bipolar Ionization creates a plasma of electrical charges which removes allergens and other pathogens from the breathing space.

## Features and Specifications

### UNIT

- Dimensions: 10.25" H x 7.75" W x 3.00" D
- Metric: 260mm H x 197mm W x 76.2mm D
- Weight: 2.8lbs (1.27kg)
- Materials: Powder Coated Aluminum
- Warranty: 2 Year Manufacturer's Warranty

### PERFORMANCE

- Airflow: 70 CFM
- Ozone Output (optional): < 0.05 ppm
- Coverage: 750 ft<sup>2</sup>

### POWER

- Supply Power: 9-36VDC | 15W
- Operating Voltage: 24VDC | 0.56A



### TECHNOLOGIES

- Active Radiant Catalysis (ARC®) - Our Proprietary Form of Photocatalytic Oxidation
- Bipolar Ionization Module (BPI)
- Same technology developed and used by NASA

## To Use This Product Correctly

- 1 Read All Instructions Carefully in User Manual Before Operating Purifier.



# pureAir SOLO



SEEKS, CAPTURES AND  


**inactivates  
indoor  
pathogens.**

CHANGE IS IN THE AIR.

pureAir SOLO SRP \$129

pureAir **SOLO**

Personal Space Purification

We measure success in microns.

pureAir **SOLO** is a sleek, wearable air purifier that creates a personal breathing zone by repelling particles from your breathing space. Using ion-based

active air technology, pureAir SOLO creates a 3 ft. clean-air zone, or bubble, reducing your exposure to dust, pet dander, and other allergens.

# Benefits of pureAir SOLO



Breathe Clean Air  
on the Go



Ultra Light and  
Wearable



Minimal  
Upkeep



Self Created  
Personal Space



Silent Fanless  
Ionization

## All Day Purification

pureAir **SOLO** delivers all-day purification with a rechargeable battery providing over 24 hours of use per charge. It includes a USB charging cable and a breakaway neck cord for comfort and convenience.



## Features and Specifications

### UNIT

- Dimensions: 2.95" H x 1.94" W x .67" D
- Metric: 75mm H x 49mm W x 17mm D
- Weight: 2.22 oz (64g)
- Accessories: Breakaway Neck Lanyard (may differ from image)
- Warranty: 1 Year Manufacturer's Warranty

### POWER

- Power Source: Rechargeable Lithium Battery
- Power Usage: 0.2 W
- Battery Life: 28 Hours Operating Time
- Charge Time: 3-5 Hours (Micro USB)

### TECHNOLOGIES

- Solid Platinum Permanent Emitter and Gold Plated Stainless Steel Collectors
- Ion Density: 50 Million Ions/cc

### PACKAGING

- Dimensions: 1.6" H x 3.1" W x 4.1" D
- Metric: 40.6mm H x 78.7mm W x 104mm D
- Weight: 4.6 oz (130.4g)

## To Use This Product Correctly

- 1 Read All Instructions Carefully in User Manual Before Operating Purifier.